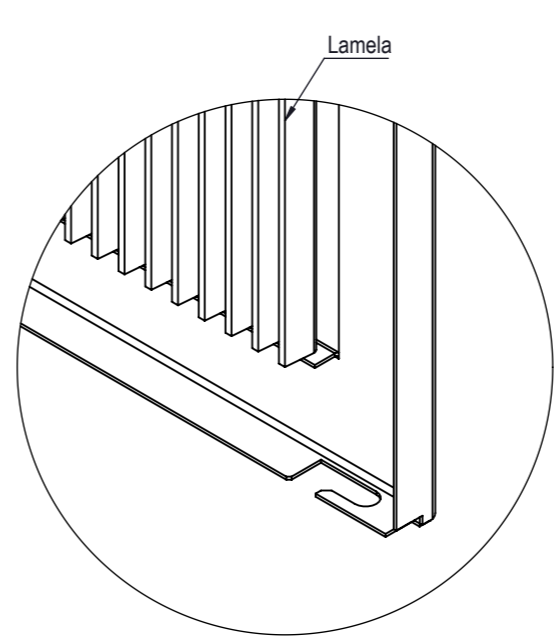
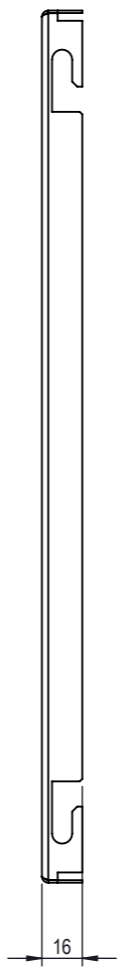
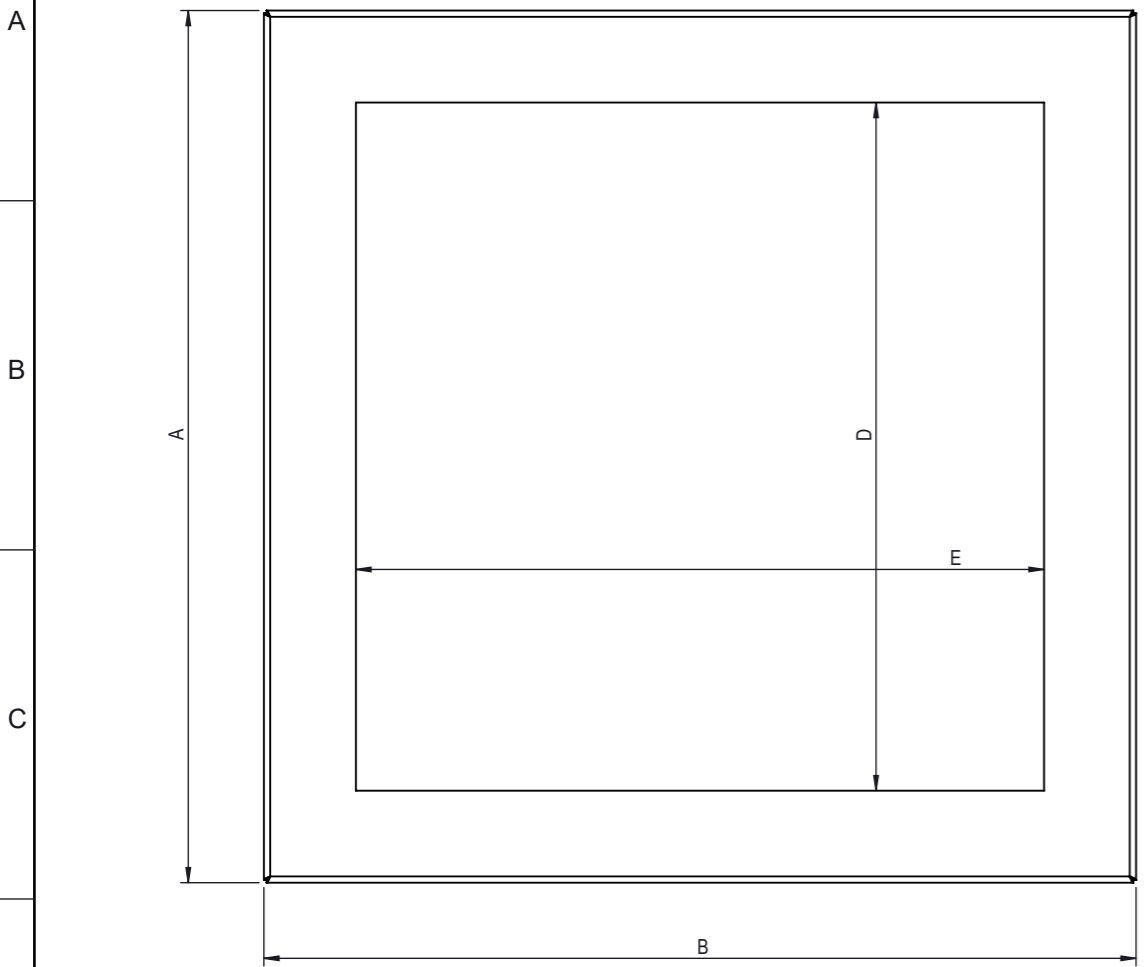
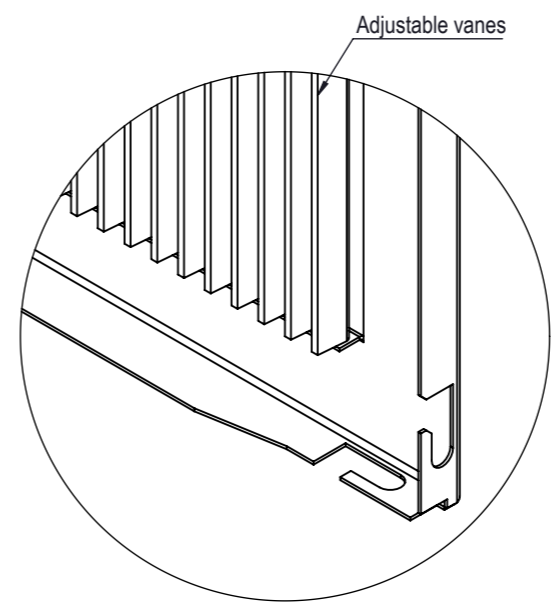
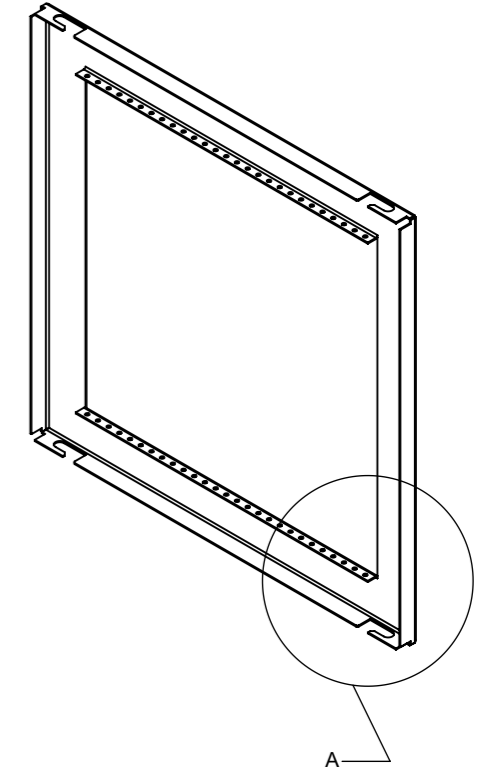


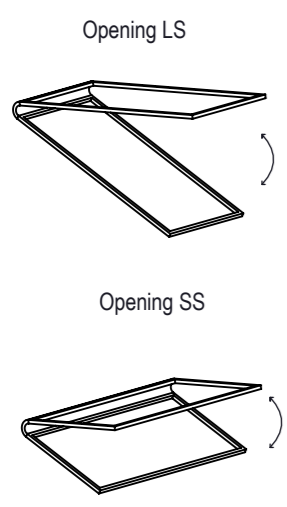
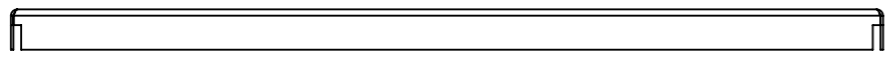
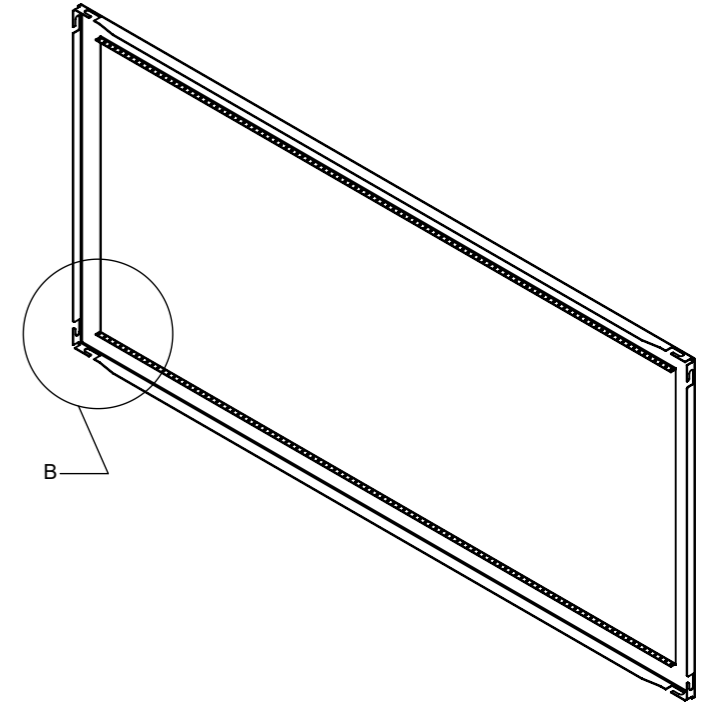
REVISION	DESCRIPTION	DATE	DESIGN	APPROVED
C	DESCRIPTION CHANGED	26.08.2019	RIL	VPA



DETAIL A



DETAIL B



Selection	Camfil Order Ref (EMC COMIC)	DRW	ITM	Size	Model	A	B	D	E	Lamela [pcs]	Material	Finish	Opening SS	Opening LS
<input type="checkbox"/>	FV255138140	687154	685806	3P3	CSL-AV-3P3	346	346	273	273	13	Carbon Steel	RAL 9010	-	-
<input type="checkbox"/>	FV255148612		685807	3P6	CSL-AV-3P6	346	651	273	574	28	Carbon Steel	RAL 9010	X	X
<input type="checkbox"/>	FV255138240		685808	4P4	CSL-AV-4P4	498	498	425	425	21	Carbon Steel	RAL 9010	-	-
<input type="checkbox"/>	FV255138340		685809	5P5	CSL-AV-5P5	549	549	476	476	23	Carbon Steel	RAL 9010	-	-
<input type="checkbox"/>	FV255138440		685810	6P6	CSL-AV-6P6	651	651	574	574	28	Carbon Steel	RAL 9010	-	-
<input type="checkbox"/>	FV255148644	18-105-129	781839	9P6	CSL-AV-9P6	651	956	578	883	43	Carbon Steel	RAL 9010	X	X
<input type="checkbox"/>	FV255138540	687154	685811	11P5	CSL-AV-11P5	549	1149	476	1076	53	Carbon Steel	RAL 9010	X	X
<input type="checkbox"/>	FV255138640		685812	12P6	CSL-AV-12P6	651	1261	578	1188	57	Carbon Steel	RAL 9010	X	X

- Approved
- Approved as noted
- Revise and Resubmit

NAME: _____ SIGNATURE: _____
 COMPANY: _____ DATE: _____



DESCRIPTION Front Plate V2 for Cleanseal, Camseal 1, Camseal 2 and Pharmaseal EU ADJUSTABLE - AV			
PROJECT -	LAST REVISION 26.08.2019	WEIGHT	
DRAWING REF. Customer Drawing - CL V2 - AV	SHEET 1/1	SIZE A3	

NB: The copyright of this drawing remains with Camfil. Contents must not be used, copied or disclosed to third parties without prior written consent. All rights reserved.